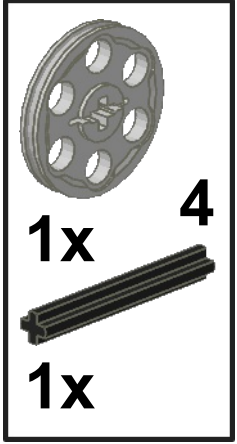
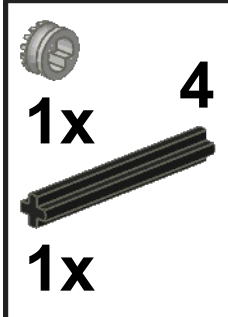


1



2

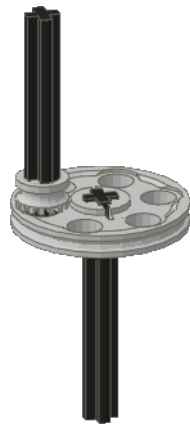


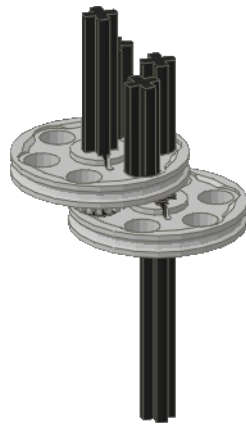
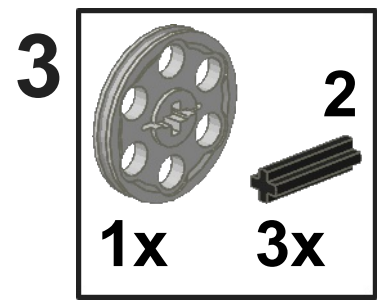
1x

4

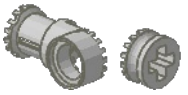
1x

This block contains a parts list for step 2. It features a large number '2' in the top left corner. To its right, there is a small gear icon, followed by the text '1x'. Below the gear icon is a long axle icon, followed by the text '4'. At the bottom of the list is another long axle icon, followed by the text '1x'. The entire list is enclosed in a rectangular border.

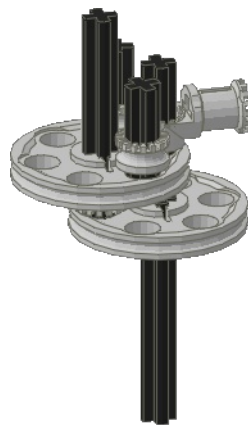




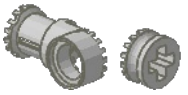
4



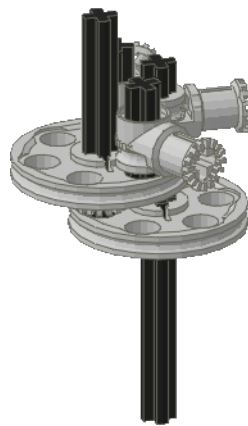
1x 2x



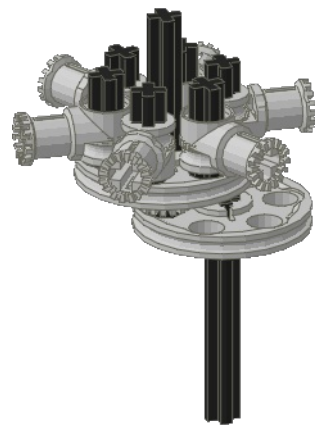
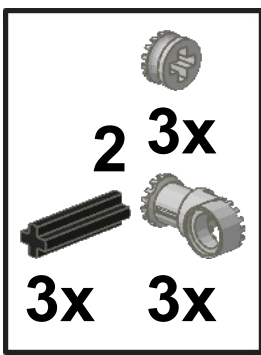
5



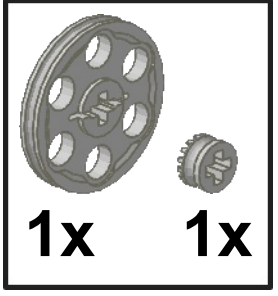
2x 1x



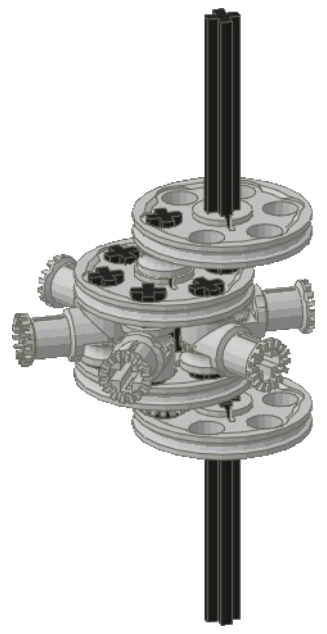
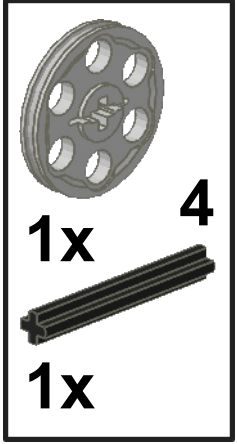
6

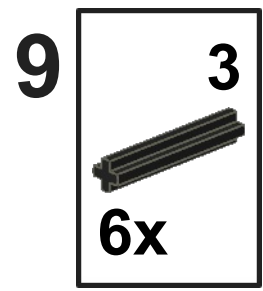


7

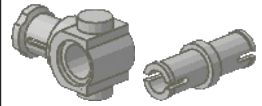


8



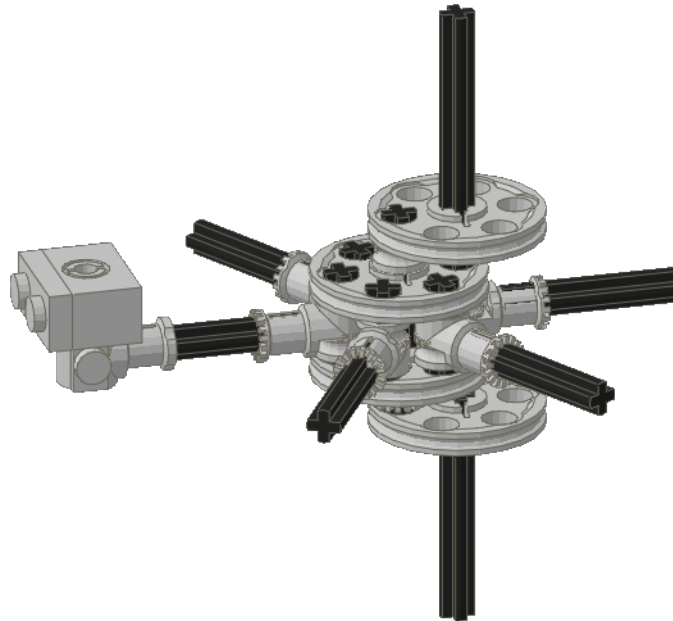
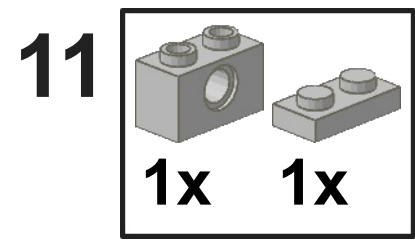


10

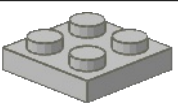


1x 1x

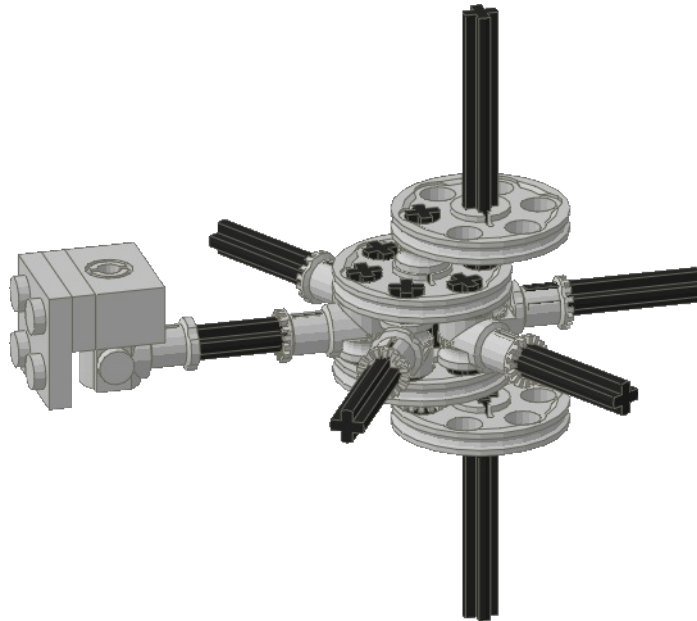




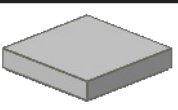
12



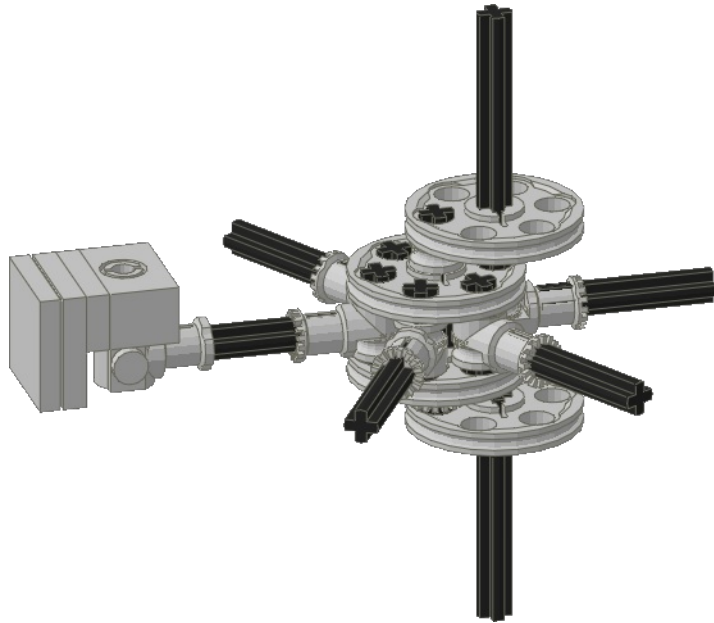
1x



13



1x



14

